

CWL-GS Series

**Models CWL GS, CWL GS DV, NCWL GS, NCWL GS DV
Gas Fired Packaged Boiler**

Installation Operation Maintenance Manual



www.thermodynamicsboiler.com

Thermo-Dynamics Boiler Company

155 ROUTE 61 SOUTH • SCHUYLKILL HAVEN, PA 17972

TEL (570) 385-0731 • FAX (570) 385-5304

WEB www.thermodynamicsboiler.com • EMAIL sales@thermodynamicsboiler.com

D g l f k f N If you do not follow these instructions exactly, a fire or explosion may result causing property damage, personal injury or loss of life

A. This appliance does not have a pilot. It is equipped with an ignition device which automatically lights the burner. Do not try to light the burner by hand.

B. BEFORE OPERATING smell all around the appliance area for gas. Be sure to smell next to the floor because some gas is heavier than air and will settle to the floor.

WHAT TO DO IF YOU SMELL GAS

- *Do not try to light any appliance.
- *Do not touch any electric switch; do not use any phone in the building.
- *Immediately call your gas supplier from a neighbors phone. Follow the gas supplier's instructions.

*If you cannot reach your gas supplier, call the fire department.

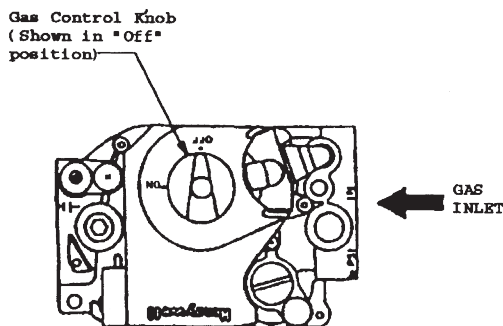
C. Use only your hand to push in or turn the gas control knob. Never use tools. If the knob will not push in or turn by hand, don't try to repair it, call a qualified service technician. Force or attempted repair may result in a fire or explosion.

D. Do not use this appliance if any part has been under water. Immediately call a qualified service technician to inspect the appliance and to replace any part of the control system and any gas control which has been under water.

OPERATING INSTRUCTIONS

1. STOP! Read the safety information above on this label.
2. Set the thermostat to lowest setting.
3. Turn off all electric power to the appliance.
4. This device is equipped with an ignition device which automatically lights the burner. Do not try to light the burner by hand.

5. If the gas control knob is not in the "OFF" position, turn the knob clockwise to "OFF".
6. Wait five (5) minutes to clear out any gas. Then smell for gas, including near the floor. If you smell gas, STOP! Follow "B" in the safety information above on this label. If you do not smell gas, go to the next step.
7. Turn gas control knob counterclockwise to "ON".
8. Turn on all electric power to the appliance.
9. Set thermostat to the desired setting.
10. If the appliance will not operate, follow the instructions "To Turn Off Gas To Appliance" and call your service technician or gas supplier.



TO TURN OFF GAS TO APPLIANCE

1. Set the thermostat to lowest setting
2. Turn off all electric power to the appliance if service is to be performed.
3. To turn off gas to appliance, turn the gas control knob clockwise to "OFF".

Contents

Safety Instructions	i
Service Policy	1
Component Arrangement	3
Installation	3
Operation	11
Maintenance	13
Trouble Shooting	15
Parts List	20

Product Features

- ASME Coded Boiler Registered with National Board
- Fully Insulated Heat Exchanger with Powder-Coated Cabinet
- Packaged with Standard Five Gallon per Minute Tankless Coil For Domestic Hot Water (CWL Models Only)
- NCWL Model Available Without Tankless Coil
- Equipped with Aquasmart w/Integrated Low Water Cutoff, Circulator, and Temperature/Altitude Gauge (CWL Models Only)
- Additional Orifices Provided
- Lifetime Limited Warranty
- Available as Direct Vent

Manufacturer not responsible for typographical errors, omissions, or future product changes that may not be covered in this manual.

Service Policy

Congratulations on the purchase of your boiler. At Thermo-Dynamics Boiler Company we pride ourselves on the design and construction of our product. Our intent is to furnish you with a high quality appliance that will provide you and your family with years of trouble free service.

In order to maintain peak performance of your boiler, it is recommended that the burner/boiler be serviced annually, preferably prior to the onset of the winter heating season. Servicing of your appliance must be performed by a qualified heating technician. You should utilize a qualified heating technician familiar with your installation to manage your heater and perform periodic maintenance. Proper care and maintenance of your boiler will allow you to enjoy the benefits of your new purchase as well as extend its long useful life.

In the event that your serviceman encounters difficulty with the boiler, he/she shall contact the distributor from which the product was purchased. The distributor, in turn, will contact the Thermo-Dynamics sales representative for your area. By adhering to this protocol, Thermo-Dynamics will provide you with responsive and unparalleled service. We realize the importance of what our product means to you and your family and our goal is to get your unit up and running as quickly as possible.

Thank you for purchasing the Thermo-Dynamics boiler. Again, it is our intent to provide you with a high quality trouble free product that will be part of your family for many years to come. Please consider Thermo-Dynamics Boiler Company in the future for all of your home heating needs.

IMPORTANT

- Read carefully and consult drawings before beginning work.
- The CWL-GS is factory assembled and packaged. Check shipping list as the unit and accompanying cartons are unpacked. Report shortages or damage to the delivering carrier immediately.
- Safe lighting and other performance criteria were met with the gas manifold and control assembly provided on the boiler when the boiler underwent tests as specified in Gas Fired Low-Pressure Steam and Hot Water Boilers ANSI Z21.13.
- The instructions, drawings, and data included in this manual are only guidelines. The equipment shall be installed in accordance with the installation requirements of the authority having jurisdiction or in the absence of such requirements to the current edition of the National Fuel Gas Code ANSI Z223.1. (Available from the American Gas Association, Pleasant Valley Road, Cleveland, Ohio 44134)
- When required by the authority having jurisdiction, the installation must conform to the American Society of Mechanical Engineers Safety Code for Control and Safety Devices for Automatically Fired Boilers, No. CSD-1.
- This Instruction Manual shall be kept near the boiler for future reference.

! WARNING:

THIS PRODUCT MUST BE INSTALLED BY A LICENSED PLUMBER OR GAS FITTER WHEN INSTALLED WITHIN THE COMMONWEALTH OF MASSACHUSETTS.

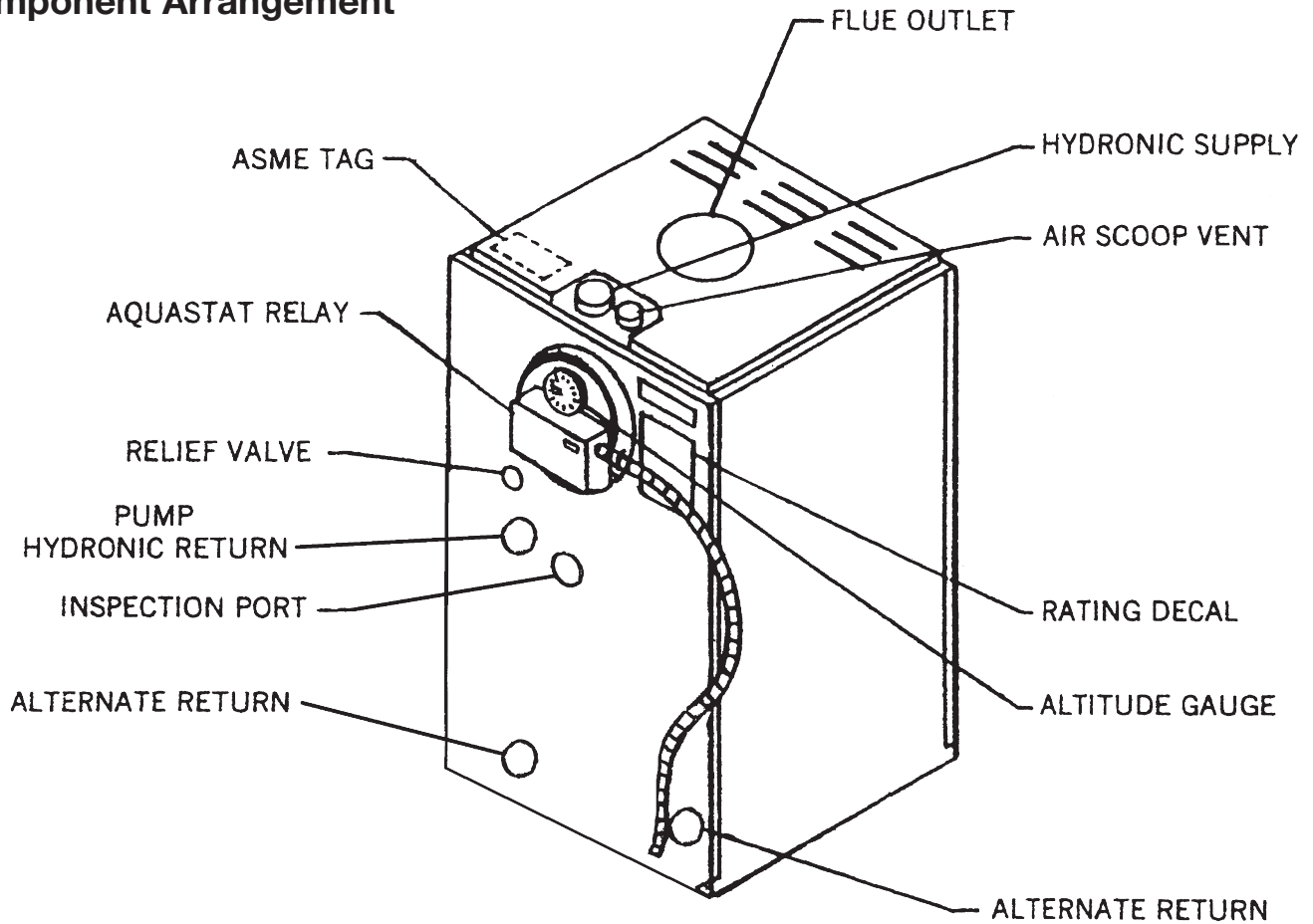
IMPROPER INSTALLATION, ADJUSTMENT, ALTERATION, SERVICE OR MAINTENANCE OF THIS BOILER MAY CAUSE INJURY OR PROPERTY DAMAGE.

IF YOU SMELL GAS OR SUSPECT A GAS LEAK, TURN OFF GAS AT THE MANUAL SERVICE VALVE AND EVACUATE THE HOUSE. DO NOT TRY TO LIGHT ANY APPLIANCE. DO NOT TOUCH ANY ELECTRICAL SWITCHES OR TELEPHONES IN THE BUILDING UNTIL YOU ARE SURE NO GAS REMAINS IN THE AIR.

COMPLIANCE WITH ALL APPLICABLE CODES IS THE SOLE RESPONSIBILITY OF THE INSTALLER.

Figure 1

Component Arrangement



Installation

I. GENERAL

CWL-GS Series hot water boilers are high quality, high efficiency gas fired vertical fire tube heating units. The installation of the unit shall be in accordance with regulations of the authorities having jurisdiction. Refer to Local installation Codes for Gas Burning Equipment, for recommended installation practice.

The CWL must be installed with the factory assembled jacket intact.

II. FREIGHT CLAIMS

All units should be inspected for damage upon arrival. Concealed damage claims should be filed immediately against the carrier by the consignee. The carrier is responsible for taking prompt action on all claims.

III. SIZING

A complete heat loss calculation of the structure is necessary to choose the proper size unit. Oversizing will result in short cycling and inefficient operation. In order to insure proper sizing of the unit, domestic hot water requirements and the structure heat load must be calculated.

Replacement boilers should not be sized from the firing rate of the old boiler. A DOE sponsored study indicates 65% of the heating units in U.S. homes are substantially oversized.

TABLE 1 – SPECIFICATIONS

Model:	100	120	140
<i>Boiler Specifications</i>			
Firing Rate CFM	1.63	1.95	2.28
Input BTU/HR	100,000	120,000	140,000
DOE Capacity BTU/HR	85,000	100,000	115,000
Net Rate BTU/HR	74,000	87,000	100,000
Val. Cap. Lbs/HR	140	140	140
Max. W.P. PSI	30	30	30
AFUE	83.2	82.6	82.0
<i>Boiler Dimensions</i>			
Water Content	15 Gal.	15 Gal.	15 Gal.
Coil Capacity*	5 Gal.	5 Gal.	5 Gal.
A) Jacket Height	29-1/2	29-1/2	29-1/2
B) Jacket Width	21	21	21
C) Coil Supply Height	22	22	22
D) Supply Height (Hydronic)	27-1/2	27-1/2	27-1/2
E) Burner Height	7-7/8	7-7/8	7-7/8
F) Hydronic Return Height	15-1/2	15-1/2	15-1/2
G) Flue Pipe Dia.	5	5	5
H) Washout (Alt. Return Height)	3-1/2	3-1/2	3-1/2
I) Jacket Depth (Inc. Flange)	22	22	22
Depth Front to Rear w/Burner	34-1/2"	34-1/2"	34-1/2"
Hydronic Supply Size	1-1/4	1-1/4	1-1/4
Hydronic Return Size	1-1/4	1-1/4	1-1/4
Washout Size (Alt. Return)	1-1/4 (2)	1-1/4 (2)	1-1/4 (2)

* Intermittent draw: 5 minute draw and 5 minute waiting period

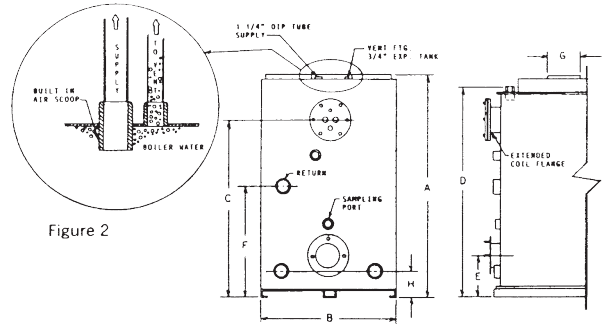
IV. LOCATION

Place the boiler on a level floor, preferably raised and as near to the chimney or venting device as possible. Allow clearances as follows in accordance with local codes and NFPA-54. (For clearances less than the listed values, consult NFPA-54 Table 6.2.3(B).

MINIMUM CLEARANCE TO COMBUSTIBLE MATERIALS

- Sides - 0"
- Rear - 0"
- Front - 12"
- Chimney Connector - 18"
- Top - 18" for cleaning

The CWL-GS zero clearance rating is attributed to its "Wet-Leg" Design. The boiler features a wall of water on all four sides as well as the area directly above the combustion chamber, thereby eliminating hazardous chamber burn-through conditions and can be placed on combustible flooring in accordance with U.L. 726.



V. AIR FOR COMBUSTION AND VENTILATION

The unit must be installed where provisions exist for combustion and ventilation air. Ordinarily, provisions may be furnished by the following methods.

A. Utility Room or Closet

In buildings of tight construction, including most modern homes, you should provide an opening, connecting to a well ventilated attic, crawl space or directly with the outdoors. The opening should have a minimum free area of 1 square inch per 1,000 Btu per hour of total input for all appliances in the enclosure and should terminate below the burner level. Boilers installed in a confined area or closet must have two ventilation openings in the closet door. Each opening should have a free area of not less than 1 square inch per 1,000 Btu of the total input for all appliances in the enclosure. One opening located near the top of the enclosure and one near the bottom.

B. Basement

1. Where a boiler is installed in a full basement, infiltration is normally adequate to provide air for combustion.

2. Buildings of tight construction where the basement windows are weather stripped, one opening communicating with a well ventilated attic or with the outdoors should be provided. The opening should have a minimum free area of 1 square inch per 1,000 Btu per hour of total input for all appliances in the inclosure.

C. Special Conditions

Where a boiler is located in an area where the operation of **exhaust fans, kitchen ventilation systems, clothes dryers, or fire places** may create conditions of unsatisfactory combustion or venting, special provisions should be made for additional air for combustion, as specified by local authority.

VI. BOILER PIPING

The CWL-GS Series of boilers is equipped with a built in Air Scoop. This feature allows quiet air free operation of your hot water system by assuring the removal of air pockets without the use of Air Scoops (see Figure 2) to trap noisy air.

The 1-1/4" supply line or riser tapping in the top of the boiler extends approximately 1" below the top or waterline of the boiler, thus allowing only air-free water to enter the supply to the heating system. The air trapped in the top of the boiler must be purged through the 3/4" vent tapping by using an Automatic Float Vent, a Manual Vent or piped into a conventional expansion tank. (See Figure 2 and 4)

The recommended locations of circulators, expansion tanks, etc. are illustrated in Figure 4. Relief valve discharge and drain valve piping should be piped to a safe place of discharge. **All** plugs and water connections should be checked for leaks upon installation and annually.

VII. TANKLESS WATER HEATER PIPING

The tankless heater may be connected as shown in Figure 4.

A mixing valve (not supplied) may be used to reduce the water temperature at kitchen or bathroom taps. High temperature water for a dishwasher may be obtained by piping as shown.

The nuts that secure the tankless coil flange should be tightened before the boiler is filled with water, after initial firing and every year during annual maintenance. **DETERIORATION DUE TO COIL GASKET LEAKS SHALL VOID WARRANTY.**

VIII. BURNER AND CONTROLS

The gas burner is factory mounted and wired on all units. The ignition safety shut-off device must be tested when the unit is in operation. To do this turn gas supply off. Set the thermostat or controller above room temperature to call for heat. Watch for the igniter to heat up. Determine the length of time the gas valve stays open. Use a volt meter to verify voltage present at the gas valve. The length of time that power is applied to the gas valve should not exceed 4.0 seconds. To relight, see lighting and shut-down instructions.

A. Primary Control

The CWL-GS Series Boiler is equipped with a Carlin 602000FR3635. The Controller is a 120 vac micro processor based control with electronic ignition and a combustion blower relay. The controller uses full time flame sensing to continually monitor flame quality with a minimum current of 0.8 microamps. In addition the controller is set for a 30 prepurge and 30 second post-purge. In the event of a flame failure, the control shall try for ignition one time before going into lockout. Recovery from lockout requires a manual reset by adjusting the thermostat. Alternatively, the 120 vac power supply may be disconnected for a period of 5 seconds in order to reset the control.

CONTROL OPERATION

When a call for heat is received from the thermostat supplying 24 volts to TH/W, the control will check the pressure switch for normally open contacts. The combustion blower is then energized and once the pressure switch contacts close, the prepurge delay begins and the electronic ignitor is activated. Following the ignitor heat-up period the gas valve is energized for the trial for ignition period.

When flame is detected during the trial for ignition, the ignitor is de-energized immediately and the gas valve and combustion blower remains energized. The thermostat, pressure switch, and main burner flame are constantly monitored to assure the system continues to operate properly. When the thermostat is satisfied and the demand for heat ends, the main valve is de-energized immediately, the control senses the loss of flame signal and initiates the 30 second post-purge period before de-energizing the combustion blower.

B. Aquasmart

This control is installed on the middle of the domestic coil. These immersion type controls are used with forced hydronic heating systems which include domestic water service. This model provides high limits, low limits for maintaining minimum boiler water temperature and circulator controls. This control can also be used for multizone control by using a separate circulator and relay for each zone. (See Figure 6) The primary control is factory wired to the aquastat relay. These controls working as a system will prevent the cir-

culator operation if the water temperature is below a predetermined low level. Likewise, if the water level reaches a predetermined high limit of 205°F, the burner will automatically shut off.

IX. SEQUENCE OF OPERATION

Forced Circulation Hot Water System with Tankless Heater

When room temperature falls below the thermostat setting, the thermostat calls for heat starting the burner and circulating pump. The burner and pump continue to operate until room heating requirements are satisfied (thermostat setting is reached), or until boiler water temperature reaches high limit control temperature setting. If the boiler high limit is reached the burner will shut off with the circulator continuing to operate until the room heating requirements are satisfied. If the thermostat continues to call for heat after the boiler temperature falls below the high limit setting the burner will restart.

The boiler water temperature is **normally maintained at 180°F** around the tankless coil by the operating control so that an abundance of hot water is available. If the boiler water temperature should fall below the operating control setting (180-F), the burner will be started again by that control (and the circulating pump will be prevented from operating) until the operating control setting is satisfied.

X. GAS PIPING

Gas supply piping is to be sized and installed properly in order to provide a supply of gas sufficient to meet the maximum demand, with minimal loss of pressure between the meter and the boiler.

Consult the following table for proper gas pipe sizing. The capacity of pipe in cubic feet per hour for different diameters and lengths, with a pressure drop of 0.3 inches and a specific gravity of 0.60 is shown. No allowance for an ordinary number of fittings is required.

Table 3 Pipe Capacities

PIPE LENGTH (FEET)	3/4" PIPE (Cu. Ft./Hr.)	1" PIPE (Cu. Ft./Hr.)
10	278	520
20	190	350
30	152	285
40	130	245
50	115	215
60	105	195

Multipliers to be used with table 1 when the specific gravity of the gas is other than 0.60

Specific Gravity	0.50	0.55	0.60	0.65	0.70
Multiplier	1.10	1.04	1.00	0.962	0.926

Locate a drop pipe adjacent to, but not in front of, the boiler. Locate a tee in the drop pipe at the same elevation as the gas inlet connection to the boiler. Extend the drop cap as shown in Figure 3 to form a sediment trap.

The boiler is equipped with a combination gas control. Install a ground joint union ahead of the gas control assembly to permit servicing of the control. See Figure 3. Install an additional shut-off valve when a combination gas control is used. See Figure 3 for the suggested location.

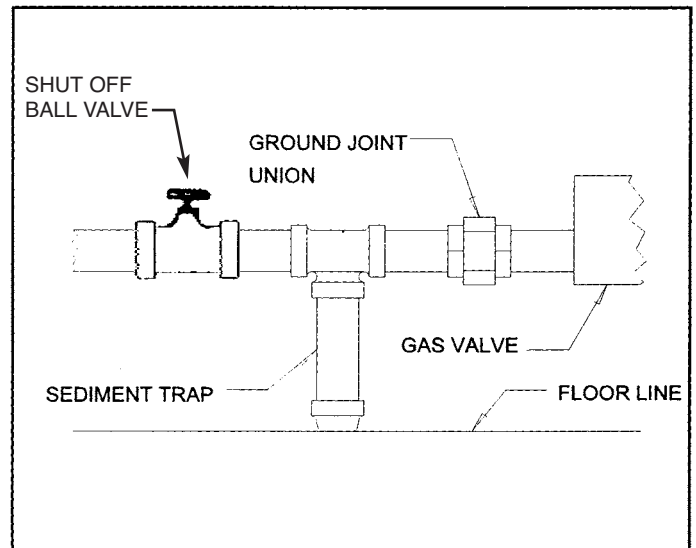
!NOTE: WHEN INSTALLING THE BOILER, MAKE SURE A PIPE COMPOUND RESISTANT TO THE ACTION OF LIQUEFIED PETROLEUM IS USED.

Check piping for leaks. Always check leaks with a water and soap solution, or equal. DO NOT USE A FLAME FOR CHECKING GAS LEAKS.

The boiler and its individual shut-off valve must be disconnected from the gas supply piping during any pressure testing of that piping at test pressures in excess of 0.5 PSIG, or 14 inches water column.

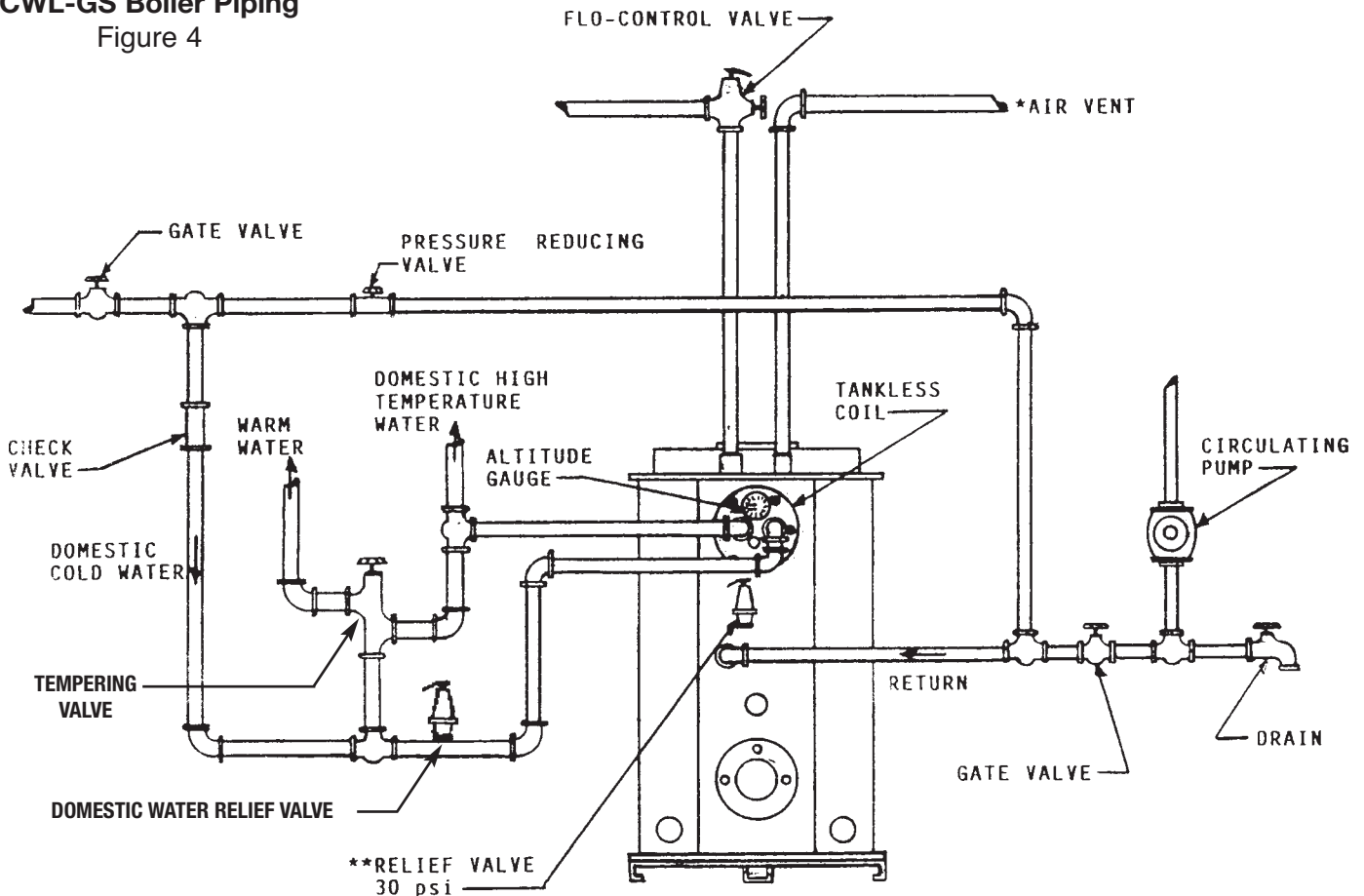
The boiler must be isolated from the gas supply piping by closing its individual manual shut-off valve during pressure testing of the gas supply piping system at test pressures equal to or less than 0.5 PSIG.

Figure 3 Gas Piping



CWL-GS Boiler Piping

Figure 4



* Venting - Refer to Section VI BOILER PIPING

** Relief Valve discharge and drain valve piping should be piped to a safe place of discharge.

XI. FLUE SYSTEM

CHIMNEY VENT MODELS

A. Draft

In order to ensure positive pressure over the fire (see specification sheet) and superior boiler performance, the draft in the flue pipe should be set to -0.02. In the event that the pressure is not at the set point, a draft regulator or draft booster may be used to correct for condition. Any draft control used in the venting system must be of listed type and installed according to local building codes and NFPA-54.

A Field controls type MG-1 double acting draft control and a GSK-3 thermal safety spill switch are provided and must be installed with the gas burner. Refer to the manufacturers installation and operation instructions for proper installation.

B. Venting System

1. Use only an approved venting system.
2. Flue or vent connector must be the same size or larger than the outlet at the unit, and must be inserted into but not beyond the inside wall of the chimney flue.
3. The horizontal length of a chimney connector should not exceed 10 ft. unless a draft booster is used. The connector should be pitched at least 1/4" to the foot toward the unit.

C. Roof Clearances

The chimney flue should extend at least 3 ft. above the highest point at which the chimney comes in contact with the roof, and no less than 2 ft. above the highest roof surface or structure within 10 ft. horizontally of the chimney.

DIRECT VENT MODELS

Install the TV-175 Combination Vent Hood by cutting a 7-1/16" by 7-1/16" opening through an exterior wall. Ensure that the location of the hood is 12" above ground and 3' from any opening. The location must also be in area with sufficient air flow (alcoves and other obstructions such as shrubbery tend to starve the burner for air). Please see following schematic.

Flash off the opening for the TV-175 Combination Vent Hood. Place additional insulation between the sides of the hood and the exterior wall to seal the opening.

Connect the air intake and flue from the boiler to the combination vent system The 4" duct is for the air intake and the 5" AL 29-4C is for the exhaust. Connect the joints for the exhaust venting by using a silicon Sealant and tightening the attached cable clamps.

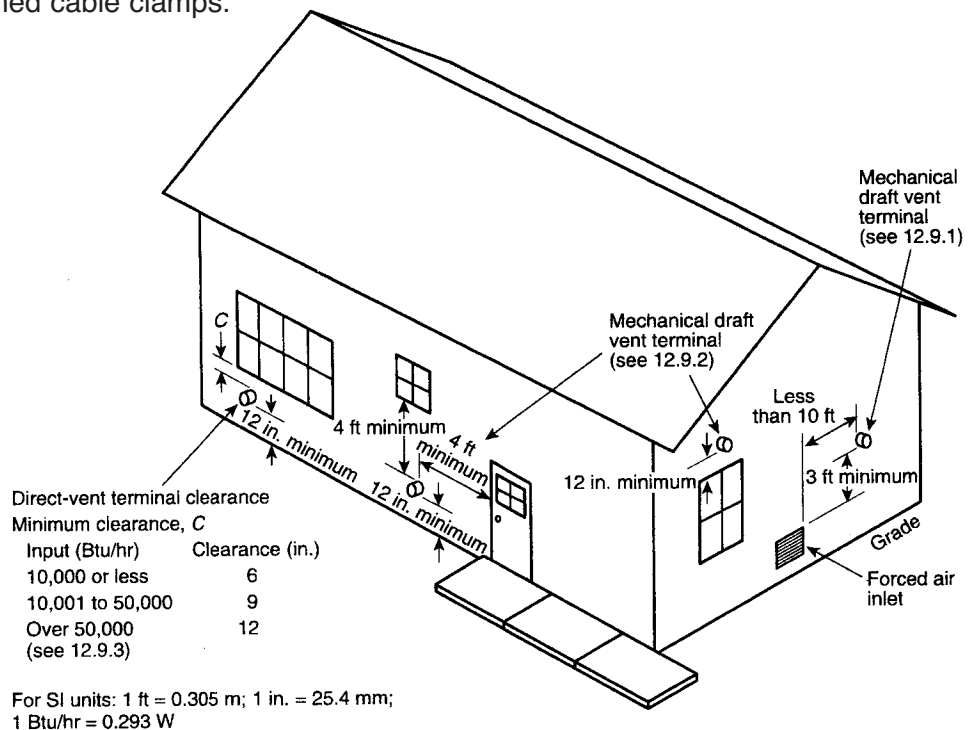


Figure: Terminals of Direct Venting Systems (taken from NFPA-54 National Fuel Gas Code).

D. Install a U.L. listed vent cap where the possibility of a downdraft exists, especially when located on a hillside or in a wooded area.

XII. WIRING

The internal wiring on package units is completed at the factory. All external wiring must be in accordance with local codes and regulations. Refer to burner and controls manufacturer's wiring diagrams for field wiring.

Field connections should be protected with a 15 amp fuse. Install a separate fuse disconnect switch near the unit so power can be shut off for servicing.

Thermostat should be located centrally within the zone to be heated. Zone valves should be installed on return lines and wired per manufacturer's specifications.

Operation

I. START UP

- A. Make sure service switch to boiler is off.
- B. Make sure boiler has been filled with water until entire system has been purged and desired pressure obtained.
- C. Make sure all manual shut off valves in the gas line are open.
- D. Set operating controls at 180°F.
- E. Check burner settings as shown in Table 1. Adjust as required.
- F. Bleed off any air in the gas line by attaching a 1/4 NPT nipple and stop-cock to the inlet side of the gas valve. Once a faint smell of gas is noticeable at the fitting, immediately shut off the valve. Allow the gas to disipate for a period of 5 minutes prior to proceeding to the next step.
- G. Apply 120 vac power to the Aquasmart control. Set thermostat above room temperature to call for heat. The control will perform a self check routine which consists of full flame sensing. Since the system calls for heat (step D), the burner will proceed with a 30 second prepurge and then attempt to fire. The burner will attempt to fire 2 times before going into lockout.

II. START UP ADJUSTMENTS

A. Equipment Required

- 1. CO/CO2 Analyzer
- 2. Draft Regulator
- 3. Manometer (Reads in W.C.)
- 4. Stack Thermometer

B. Adjustment to Gas Pressure Regulator

The manifold pressure should be set to:

100		120		140	
Nat. Gas	LP	Nat. Gas	LP	Nat. Gas	LP
3.5"	3.5"	3.5"	3.5"	3.5"	3.5"

To adjust gas pressure, turn the adjusting screw of the gas pressure regulator out (counterclockwise) to decrease the pressure. Turn in (clockwise) to increase the pressure. Refer to control specification sheet supplied with the boiler for location of the gas pressure regulator. The final manifold pressure should not be more than plus or minus 0.2" water column from the specified pressure. Major changes to the gas flow should be made by changing the drill size of the burner orifice.

C. Adjustments to the Burner

Allow the burner to operate for at least 15 minutes and then make the following adjustments:

- (1) Sampling Hole - Punch a 1/4" hole in the flue pipe between the flue box and the draft regulator. Test readings should be taken at this point or inspection port. (See page 13)
- (2) Draft - Take a draft reading from the inspection port above the burner, directly in the combustion chamber. This reading **must** be taken **DURING** combustion. This "Over-the-Fire" reading must be **POSITIVE** pressure. (Refer to Table 1)
- (3) Combustion Set-up - Air Band and Head settings shown in the table are approximate. The Burner **MUST** be set-up and adjusted during actual field installed conditions.

When to adjust the Air

You must use an analyzer to measure the CO₂ (Carbon Dioxide). General rule: if the CO₂ is too low, then close the air shutter. If the CO₂ is too high, then open the air shutter. **Note: Do NOT set the CO₂ higher than 9.8% for Natural Gas or 11.5% for LP Gas.** If the CO (Carbon Monoxide) is above 100 ppm, there is either too much air or too little air. Check the CO₂ Level and adjust the burner.

Combustion Analysis

You can also take flue gas sampling from the sight fitting/sampling port above the burner. If using the sampling port, do not insert the probe into the combustion area too far. Insert probe approximately 1/2" to 1". Excessive insertion may cause false readings.

D. Check Out Procedure

After starting the boiler, make certain all controls are working properly before leaving the boiler unattended. Check to be certain that the temperature limit control will shut off the boiler in the event of excessive temperature, by lowering the High Limit set point until the burner shuts off. Reset the High Limit to the desired temperature setting.

Check main gas valve when closed to be certain there is no leakage. Check all joints for gas leakage. Use soap solution to check for leakage.

Check the operation of the Ignition System safety shut off device using the following method:

- 1) Turn gas supply off.
- 2) Set thermostat above room temperature to call for heat.
- 3) Time the length of time gas valve stays open. The time should not exceed 4.0 seconds.

III. BURNER SERVICING

A. Burner Components

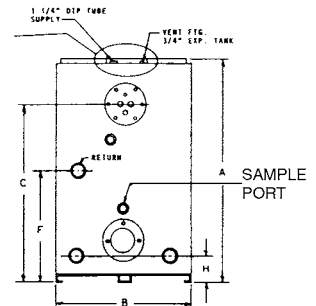
If a replacement part is necessary, use only the part specified on the burner parts list in the burner manual. Specify the part number and description when ordering.

B. Orifice

To increase the firing rate, use only the orifices provided. Any attempt to "drill out" the orifice will void the warranty for the burner.

C. Set Up

For specific set up procedures refer to the Installer/Serviceman Decal on the boiler or to this manual.



Maintenance

I. IMPORTANT

ESCAPING GASES ARE DANGEROUS. THE ENTIRE FLUE AND VENTING SYSTEM SHOULD BE INSPECTED AT LEAST ONCE A YEAR BY A QUALIFIED SERVICEMAN.

II. HEAT EXCHANGER

The tubular portions of the heat exchanger should be examined annually for scale and soot accumulation.

Remove scale and soot with a flexible brush and a boiler vacuum cleaner. Be careful not to damage internal refractory insulation of the chamber floor. Properly seal flue box gasketing and bolts.

III. GAS BURNER

A. Thoroughly brush clean the air intake screen of the burner to ensure proper air delivery.

B. Properly seal the burner flange bolts.

IV. LUBRICATION

The blower motor is equipped with sealed bearings and therefore, does not require lubrication.

V. GASKETS

Tighten nuts on water coil to prevent any gasket leaks.

DETERIORATION DUE TO COIL GASKET LEAKS SHALL VOID WARRANTY.

VI. WIRING

Check the electrical wiring for damage of frayed insulation.

HOMEOWNER INFORMATION

Your serviceman is:

Name:

Address:

Phone No.:

A. General

NEVER BURN GARBAGE OR REFUSE IN YOUR HEATING UNIT. NEVER TRY TO IGNITE GAS BY TOSSING BURNING MATERIAL INTO YOUR BOILER AND NEVER LEAVE COMBUSTIBLE MATERIAL AROUND IT.

B. Combustion Air Supply

Your burner requires an ample amount of clean air in order to completely and efficiently burn its fuel. If an ample supply is not available, erratic operation, noisy combustion, and fuel odors in the air may result. Remember that venting fans or a vented dryer will greatly increase the need for outside air. (See Section V, part C)

C. Area Around Boiler

The area around the boiler should be kept clean and free of any combustible materials, particularly oily rags and papers. The boiler should be accessible for ease of service. If burner is shut down for extended period of time, shut off manual fuel supply valve. Brush clean flue passages and vacuum clean unit. Inspect for leaks at gaskets and fittings. Follow starting procedures to restart.

SERVICE INFORMATION

To avoid unnecessary expense and inconvenience, the boiler and burner should be cleaned and serviced at least once a year by a qualified serviceman. If difficulty occurs, the following should be observed before calling the serviceman:

- A. Check to be sure that the gas line is not shutoff.
- B. Check to see if the thermostat setting is above room temperature
- C. Check to see if the service switch is in the on position.

DO NOT TAMPER WITH THE UNIT OR ITS CONTROLS.

TROUBLE SHOOTING GUIDE

TROUBLE: TOO MUCH HEAT

SOURCE	PROCEDURE	CAUSES	REMEDY
CIRCULATOR	CHECK TO SEE IF OPERATING CONTROL IS OPERATING PROPERLY	CIRCULATOR DOES NOT STOP RUNNING	REPAIR
THERMOSTAT	CHECK THERMOSTAT SETTINGS AND CALIBRATION	THERMOSTAT SET TO HIGH	RESET THERMOSTAT
		THERMOSTAT DEFECTIVE	REPLACE THERMOSTAT
		THERMOSTAT OUT OF CALIBRATION	RECALIBRATES
FLOW VALVE	CHECK TO SEE IF FLOW VALVE IS OPERATING PROPERLY	FLOW VALVE DIRTY AND STUCK	CLEAN FLOW VALVE
		FLOW VALVE DEFECTIVE	REPLACE FLOW VALVE

TROUBLE: HIGH NET STACK TEMPERATURES

SOURCE	PROCEDURE	CAUSES	REMEDY
GAS VALVE	CHECK MANIFOLD PRESSURE WITH MANOMETER	OVER FIRING DUE TO INCREASED GAS PRESSURE	CHECK TO ENSURE ORIFICE IS INSTALLED. TURN GAS VALVE SET POINT
HEAT EXCHANGER	CHECK HEAT EXCHANGER SURFACES FOR SOOT AND FOULING	HEAT EXCHANGER FOULED	CLEAN HEAT EXCHANGER

TROUBLE: INSUFFICIENT DOMESTIC HOT WATER

SOURCE	PROCEDURE	CAUSES	REMEDY
OPERATING CONTROL	CHECK OPERATING CONTROL SETTING	SETTING TO LOW	SET OPERATING CONTROL TO 180°F
COIL HEAT EXCHANGER	INSPECT COILS FOR FOULED SURFACES AND/OR FLOW RESTRICTIONS	FLOW RESTRICTION	REMOVE RESTRICTION
		FOULED SURFACES ON HEAT EXCHANGER	CLEAN HEAT EXCHANGER SURFACES

TROUBLE: BOILING NOISE IN TOP OF BOILER

SOURCE	PROCEDURE	CAUSES	REMEDY
VENTING	CHECK IF SYSTEM IS PROPERLY VENTED	DEFECTIVE FLOAT VENT	REPLACE VENT
		WATERLOGGED EXPANSION TANK	DRAIN TANK
		MANUAL VENT REQUIRES VENTING	OPEN VENT
		IMPROPER VENTING	SEE BOILER PIPING SECTION

TROUBLE: BURNER FIRES BUT PULSATES

SOURCE	PROCEDURE	CAUSES	REMEDY
COMBUSTION AIR	INSPECT INSTALLATION FOR COMBUSTION AIR PROVISIONS	IMPROPER INSTALLATION	PROVIDE OPENINGS THAT COMMUNICATE WITH OUTSIDE
	OPEN AIR BAND WIDE AND TAKE CO ₂ READING	IMPROPER ADJUSTMENT	ADJUST CO ₂ LEVEL-START WITH AIR BAND WIDE OPEN
GAS SUPPLY	BLEED GAS LINE	NEW PIPING NOT PURGED OF AIR	TIGHTEN ALL FITTINGS
GAS PRESSURE	INSTALL A MANOMETER IN THE GAS LINE. PRESSURE SHOULD READ BETWEEN 5.0 AND 11.0 W.C.	LOW SUPPLY PRESSURE	HAVE GAS COMPANY INCREASE INCOMING SUPPLY PRESSURE
		TOO MANY LINE RESTRICTIONS	INCREASE OVERALL DIAMETER OF THE GAS LINE
ORIFICE	DISCONNECT GAS LINE AND INSPECT ORIFICE	IMPROPERLY SIZED ORIFICE	REPLACE WITH ORIFICE SPECIFIED IN MANUAL
		NO ORIFICE INSTALLED	
HEAT EXCHANGER RESTRICTIONS	TAKE DRAFT READING OVER THE FIRE AND AT THE FLUE BOX. THE DIFFERENCE SHOULD NOT EXCEED +.04W.C.	PLUGGED HEAT EXCHANGER	CLEAN OUT HEAT EXCHANGER
BURNER MOTOR	BURNER MOTOR TRIPS ON OVERLOAD TURN OFF POWER AND ROTATE BLOWER BY HAND TO CHECK FOR EXCESSIVE DRAG	LINE VOLTAGE BELOW 102V	CALL UTILITY COMPANY
		FAULTY MOTOR	REPLACE MOTOR
		BLOWER OVERLOADING MOTOR	REPLACE BLOWER
DRAFT	TAKE A DRAFT READING. DRAFT SHOULD BE 0 TO +.10 POSITIVE PRESSURE OVER FIRE.	DOWN DRAFTS	INSTALL VENT CAP
		INSUFFICIENT DRAFT	INCREASE DRAFT SETTING
		EXCESSIVE DRAFT	REDUCE DRAFT SETTINGS, INSTALL DRAFT REGULATOR IF NECESSARY

TROUBLE: BURNER FIRES, BUT THEN FAILS ON SAFETY

SOURCE	PROCEDURE	CAUSES	REMEDY
FLAME SENSOR	CHECK CAD CELL WITH OHMMETER. IF MORE THAN 2000 OHMS, CAD CELL IS DEFECTIVE OR DIRTY	FAULTY FLAME SENSOR	CLEAN OR REPLACE
PRIMARY CONTROL	AFTER BURNER FIRES OPEN CAD CELL CIRCUIT IF FLAME LOOK GOOD, IF BURNER CONTINUES TO OPERATE FAULT IS IN PRIMARY CONTROL	FAULTY PRIMARY CONTROL	REPLACE PRIMARY CONTROL

TROUBLE: BURNER FIRES THEN LOSES FLAME

SOURCE	PROCEDURE	CAUSES	REMEDY
POOR FIRE	INSPECT FOR FLAME STABILITY	UNBALANCED FIRE	ADJUST BURNER INSERTION DEPTH
		EXCESSIVE DRAFT	REDUCE DRAFT SETTING
		INSUFFICIENT DRAFT	INCREASE DRAFT
		TO LITTLE COMBUSTION AIR	INCREASE COMBUSTION AIR
COMBUSTION AIR	REDUCE COMBUSTION AIR SUPPLY	TOO MUCH COMBUSTION AIR	CLOSE AIR BAND TO RAISE CO ₂ TO PROPER LEVELS
EXCESSIVE DRAFT	TAKE A DRAFT READING DRAFT SHOULD BE 0 TO +.02 POSITIVE PRESSURE OVER THE FIRE	INCORRECT DRAFT SETTING	REDUCE DRAFT SETTING INSTALL SECOND DRAFT REGULATOR IF NECESSARY

TROUBLE: INSUFFICIENT HEAT

SOURCE	PROCEDURE	CAUSES	REMEDY
CIRCULATOR	CHECK IF CIRCULATOR IS OPERATIONAL	COUPLING WORN OR BROKEN	REPLACE COUPLING
		PUMP BINDING	REPLACE PUMP
		CIRCULATOR MOTOR BURNED OUT	REPLACE CIRCULATOR MOTOR
		WIRING FROM OPERATING CONTROL DEFECTIVE	REPAIR WIRING
		OPERATING CONTROL DEFECTIVE	REPAIR OR REPLACE OPERATING CONTROL
	CHECK IF CIRCULATOR IS CORRECT SIZE	CIRCULATOR TOO SMALL	REPLACE WITH PROPER CIRCULATOR
	CHECK VOLTAGE TO CIRCULATOR	INSUFFICIENT VOLTAGE	CALL UTILITY COMPANY
THERMOSTAT	CHECK THERMOSTAT SETTINGS	SETTINGS TOO LOW	INCREASE SETTING
	CHECK THERMOSTAT LOCATION	BAD LOCATION DUE TO HEAT BUILD UP	MOVE THERMOSTAT TO A BETTER LOCATION
	CHECK THERMOSTAT LOCATION	OUT OF CALIBRATION	RECALIBRATES
FLOW VALVE	CHECK FLOW VALVE FOR STICKING IN PARTIALLY CLOSED POSITION	FLOW VALVE NOT OPENING FULLY	CLEAN OR REPLACE FLOW VALVE
RADIATION	CHECK RADIATORS FOR AIR	RADIATORS AIR BOUND	BLEED RADIATORS
	CHECK TO SEE IF RADIATORS ARE PROPERLY SIZED	RADIATORS INADEQUATE	INSTALL ADEQUATE RADIATION
BOILER	DETERMINE STRUCTURE HEAT LOAD	BOILER TOO SMALL	ADDITIONAL HEATING CAPACITY REQUIRED
TANKLESS COIL	CHECK USAGE OF DOMESTIC HOT WATER	DEMAND TOO LARGE	INSTALL FLOW REGULATOR
			ADDITIONAL BOILER CAPACITY REQUIRED
PIPING	CHECK TO SEE IF PIPING IS PROPERLY SIZED	PIPING INADEQUATE	INSTALL ADEQUATE PIPING
HEAT EXCHANGER	CHECK HEAT EXCHANGER FOR SOOT OR SCALE ACCUMULATION	INSUFFICIENT HEAT TRANSFER	CLEAN HEAT EXCHANGER
BURNER	INCREASE GAS MANIFOLD PRESSURE BY OPENING UP THE GAS VALVE	DECREASE IN GAS LINE PRESSURE	CHECK WITH GAS COMPANY FOR CHANGES IN SERVICE
			CHECK FOR LEAKS UPSTREAM OF BURNER

TROUBLE: BURNER DOES NOT START

SOURCE	PROCEDURE	CAUSES	REMEDY
THERMOSTAT	CHECK THERMOSTAT SETTINGS	THERMOSTAT SET TO LOW	TURN THERMOSTAT UP
		THERMOSTAT ON "OFF" OR "COOL"	SWITCH TO HEAT
	JUMPER TT TERMINALS ON AQUASTAT	OPEN THERMOSTAT WIRES	REPAIR OR REPLACE WIRES
		LOOSE THERMOSTAT CONNECTORS	TIGHTEN CONNECTIONS
		FAULTY THERMOSTAT	REPLACE THERMOSTAT
		THERMOSTAT NOT LEVEL	LEVEL THERMOSTAT
		DIRTY THERMOSTAT CONTACTS	CLEAN CONTACTS
CIRCUIT OVERLOADS	CHECK BURNER MOTOR OVERLOAD SWITCH	BURNER MOTOR TRIPPED ON OVERLOAD	PUSH RESET BUTTON
	CHECK PRIMARY CONTROL SAFETY SWITCH	PRIMARY TRIPPED ON SAFETY	RESET SAFETY SWITCH
POWER	CHECK BOILER DISCONNECT SWITCH AND MAIN DISCONNECT SWITCH	SWITCH OPEN	CLOSE SWITCH
		TRIPPED BREAKER OR BLOWN FUSE	RESET BREAKER OR REPLACE FUSE
PRIMARY CONTROL	CHECK FOR VOLTAGE AT THE BURNER BETWEEN THE BLACK AND WHITE WIRES	LIMIT CONTROL SWITCH OPEN	CHECK LIMIT SETTING
			JUMPER TERMINALS-IF BURNER STARTS REPLACE CONTROL
		OPEN CIRCUIT BETWEEN LIMIT CONTROL AND DISCONNECT SWITCH	REPAIR CIRCUIT
		LOW ONE VOLTAGE OR POWER	CALL UTILITY COMPANY
	CHECK FOR VOLTAGE AT THE BURNER BETWEEN THE ORANGE AND WHITE WIRES. NO VOLTAGE INDICATES A FAULTY CONTROL	DEFECTIVE CONTROL	REPLACE CONTROL
BURNER MOTOR	CHECK FOR VOLTAGE	PUMP SEIZED BURNER MOTOR LEADS	TURN OFF POWER TO BURNER. ROTATE BY HAND, CHECK FOR EXCESSIVE DRAG. REPLACE FUEL UNIT OR BLOWER WHEEL
		BLOWER WHEEL BINDING	
		BURNER MOTOR DEFECTIVE	REPLACE BURNER MOTOR

Parts List CWL-GS

(Designate boiler and burner model numbers on all orders.)

Item No.	Part No.	Description
1	542212	Carlin EZ - Gas Burner
2	542214	Carlin EZ Gas DV Gas Burner
3	535030	007 Circulator Pump
4	552111	Aquasmart Control
5	575020	Relief Valve (3/4" Male)
6	559560	Altitude Gauge 1/4" x 2-1/2" Round
7	481005	Coil Gasket (TDR)
8	530247	TDR5L Coil with Gasket-Cartoned
9	229151	Blank Coil Plate with 1/8" and 3/4" Tapping
10	190399	Baffles (CWL, 10 required)
11	190401	Flue Box (Top Vent)
12	199991	Flue Box (Rear Vent with Regulator)
13	337135	Gasket Material (25' Roll)
14	337799	Cerablanket Floor Insulation
15	337800	Ceraform Floor Board 19 x 19
16	553008	Primary 6020002FR3635

INSTALLER/SERVICEMAN

Model Number	CWL-GS-100	CWL-GS-120	CWL-GS-140
Burner Type	Carlin	Carlin	Carlin
Burner Model	EZ-Gas	EZ-Gas	EZ-GAS
Fuel	Nat. Gas	Nat. Gas	Nat. Gas
Orifice	0.228"	0.242"	0.250"
Max Inlet Pressure	11"	11"	11"
Min Inlet Pressure	5"	5"	5"
Manifold Pressure	3.5"	3.5"	3.5"
Head Position	N/A	N/A	N/A
Air Shutter	35%	42%	52%
Draft Over Fire	+ 0.005"	+ 0.01"	+ 0.03"
Draft In Stack	-0.020"	-0.020"	-0.020"
CO ₂ Reading	9.0%	9.0%	9.0%

NOTICE

Above settings are approximate. Final adjustments to be made with proper test equipment. See installation/service manual for detailed information.

INSTALLER/SERVICEMAN

Model Number	CWL-GS-100	CWL-GS-120	CWL-GS-140
Burner Type	Carlin	Carlin	Carlin
Burner Model	EZ-Gas	EZ-Gas	EZ-Gas
Fuel	LP Gas	LP Gas	LP Gas
Orifice	5/32"	11/64"	13/64"
Max Inlet Pressure	11"	11"	11"
Min Inlet Pressure	5"	5"	5"
Manifold Pressure	3.5"	3.5"	3.5"
Head Position	N/A	N/A	N/A
Air Shutter	36%	43%	50%
Draft Over Fire	+ 0.005"	+ 0.01"	+ 0.03"
Draft In Stack	-0.020"	- 0.020"	- 0.020"
CO ₂ Reading	11.0%	11.0%	11.0%

NOTICE

Above settings are approximate. Final adjustments to be made with proper test equipment. See installation/service manual for detailed information.

YbfgN__Se/fSehYPSaNb

Pi_-Vf RYeSPg hSbg

aynov bwlo	CWL-GS-DV 100	CWL-GS-DV 120	CWL-GS-DV 140
Burner Type	Carlin	Carlin	Carlin
Burner Model	EZ-Gas	EZ-Gas	EZ-Gas
Fuel	Nat. Gas	Nat. Gas	Nat.LP Gas
Orifice	0.228"	0.242"	0.250"
Max Inlet Pressure	11"	11"	11"
Min Inlet Pressure	5"	5"	5"
Manifold Pressure	3.5"	3.5"	3.5"
Head Position	N/A	N/A	N/A
Air Shutter	6%	9%	12%
Draft Over Fire	+ 0.050"	+ 0.070"	+ 0.095"
Draft In Stack	+0.010"	+0.020"	+0.030"
CO ₂ Reading	9.0%	9.0%	9.0%

NOTICE

Above settings are approximate. Final adjustments to be made with proper test equipment. See installation/service manual for detailed information.

YbfgN__Se/fSehYPSaNb

Pi_-Vf RYeSPg hSbg

aynov bwlo	CWL-GS-DV 100	CWL-GS-DV 120	CWL-GS-DV 140
Burner Type	Carlin	Carlin	Carlin
Burner Model	EZ-Gas	EZ-Gas	EZ-Gas
Fuel	LP Gas	LP Gas	LP Gas
Orifice	5/32"	11/64"	13/64"
Max Inlet Pressure	11"	11"	11"
Min Inlet Pressure	5"	5"	5"
Manifold Pressure	3.5"	3.5"	3.5"
Head Position	N/A	N/A	N/A
Air Shutter	4%	6%	11%
Draft Over Fire	+ 0.005"	+ 0.075"	+ 0.120"
Draft In Stack	+0.010"	+0.040"	+0.070"
CO ₂ Reading	11.0%	11.0%	11.0%

NOTICE

Above settings are approximate. Final adjustments to be made with proper test equipment. See installation/service manual for detailed information.

INSTALLER/SERVICEMAN

Model Number	NCWL-GS-100	NCWL-GS-120	NCWL-GS-140
Burner Type	Carlin	Carlin	Carlin
Burner Model	EZ Gas	EZ Gas	EZ Gas
Fuel	Nat. Gas	Nat. Gas	Nat. Gas
Orifice	0.228"	0.242"	0.250"
Max Inlet Pressure	11"	11"	11"
Min Inlet Pressure	5"	5"	5"
Manifold Pressure	3.5"	3.5"	3.5"
Head Position	N/A	N/A	N/A
Air Shutter	35%	42%	52%
Draft Over Fire	+ 0.005"	+ 0.01"	+ 0.03"
Draft In Stack	-0.0200"	-0.020"	-0.020"
CO ₂ Reading	9.0%	9.0%	9.0%

NOTICE

Above settings are approximate. Final adjustments to be made with proper test equipment. See installation/service manual for detailed information.

INSTALLER/SERVICEMAN

Model Number	NCWL-GS-100	NCWL-GS-120	NCWL-GS-140
Burner Type	Carlin	Carlin	Carlin
Burner Model	EZ-Gas	EZ-Gas	EZ-Gas
Fuel	LP Gas	LP Gas	LP Gas
Orifice	5/32"	11/64"	13/64"
Max Inlet Pressure	11"	11"	11"
Min Inlet Pressure	5"	5"	5"
Manifold Pressure	3.5"	3.5"	3.5"
Head Position	N/A	N/A	N/A
Air Shutter	36%	43%	50%
Draft Over Fire	+ 0.005"	+ 0.01"	+ 0.03"
Draft In Stack	-0.020"	-0.020"	-0.020"
CO ₂ Reading	11%	11%	11%

NOTICE

Above settings are approximate. Final adjustments to be made with proper test equipment. See installation/service manual for detailed information.

YbfgN__Se/fSehYPSaNb

bPi_-Vf RYeSPg hSbg

aynov bwlo	NCWL-GS-DV 100	NCWL-GS-DV 120	NCWL-GS-DV 140
Burner Type	Carlin	Carlin	Carlin
Burner Model	EZ-Gas	EZ-Gas	EZ-Gas
Fuel	Nat. Gas	Nat. Gas	Nat. Gas
Orifice	0.228"	0.242"	0.250"
Max Inlet Pressure	11"	11"	11"
Min Inlet Pressure	5"	5"	5"
Manifold Pressure	3.5"	3.5"	3.5"
Head Position	N/A	N/A	N/A
Air Shutter	6%	9%	12%
Draft Over Fire	+ 0.050"	+ 0.070"	+ 0.095"
Draft In Stack	+0.010"	+0.020"	+0.030"
CO ₂ Reading	9.0%	9.0%	9.0%

NOTICE

Above settings are approximate. Final adjustments to be made with proper test equipment. See installation/service manual for detailed information.

YbfgN__Se/fSehYPSaNb

bPi_-Vf RYeSPg hSbg

aynov bwlo	NCWL-GS-DV 100	NCWL-GS-DV 120	NCWL-GS-DV 140
Burner Type	Carlin	Carlin	Carlin
Burner Model	EZ-Gas	EZ-Gas	EZ-Gas
Fuel	LP Gas	LP Gas	LP Gas
Orifice	5/32"	11/64"	13/64"
Max Inlet Pressure	11"	11"	11"
Min Inlet Pressure	5"	5"	5"
Manifold Pressure	3.5"	3.5"	3.5"
Head Position	N/A	N/A	N/A
Air Shutter	4%	6%	11%
Draft Over Fire	+ 0.005"	+ 0.075"	+ 0.120"
Draft In Stack	+0.010"	+0.040"	+0.070"
CO ₂ Reading	11.0%	11.0%	11.0%

NOTICE

Above settings are approximate. Final adjustments to be made with proper test equipment. See installation/service manual for detailed information.

